

51 42 100 Replace left or right ashtray

Overview of Activities

Additional Information

Preliminary Work

- 1 Remove the finisher from the rear door trim panel
- 2 Remove rear door trim

Main Work

- 3 Remove ashtray.
- 4 Installing the ashtray

Postprocesses

- 5 Installing rear door trim panel
- 6 Install the finisher on the rear door trim panel

General information

NOTICE

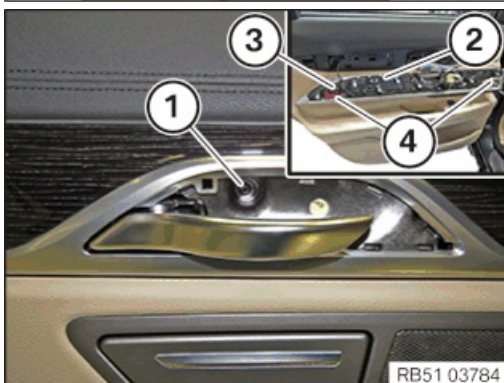
Description is for left component only. Procedure on the right side is identical.

PRELIMINARY WORK

1–Remove the finisher from the rear door trim panel

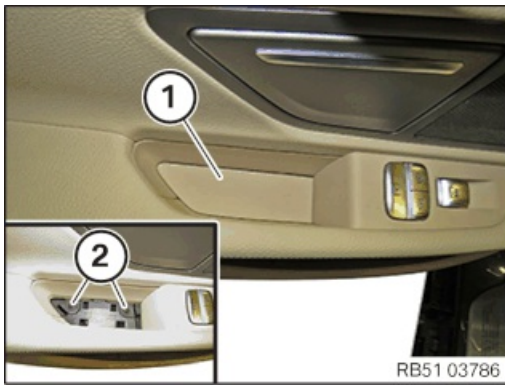


- Unclip the trim (1) with a suitable plastic wedge and remove.

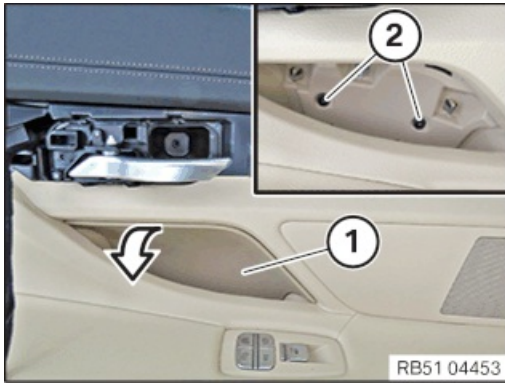


- Loosen screw (1).
- Start from the front and unclip the finisher (2) using a suitable plastic wedge.
- Slightly push decorative strip (2) forwards and detach it from the hook (3).
- Disconnect the plug connections (4) and remove the finisher (2).

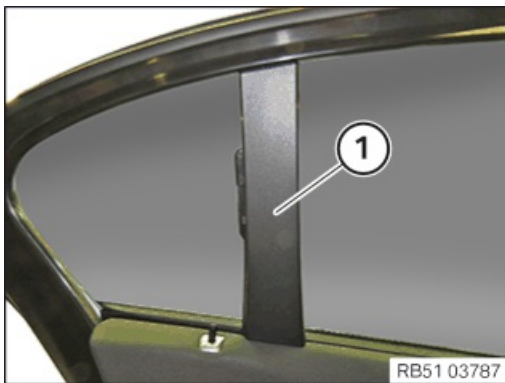
2–Remove rear door trim



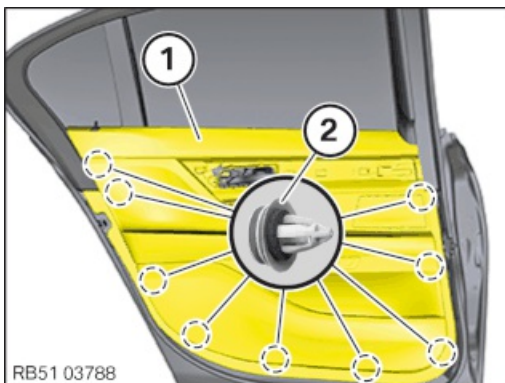
- In G11: Lever out and remove cover (1) with the special tool **0 493 681 (64 1 020)**.
- Release screws (2) underneath.



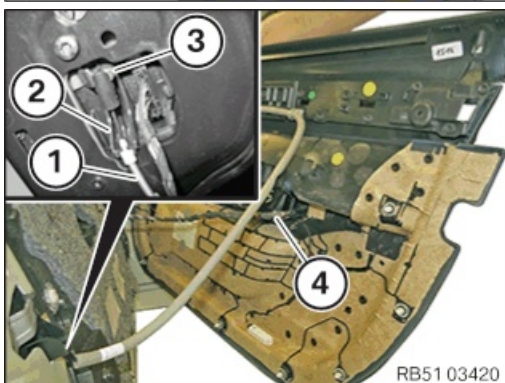
- In G12: Unclip the trim (1) in the direction of the arrow and feed it out of the door. Release screws (2) underneath.



- Lever out trim (1) inwards with the special tool **0 496 569 (00 9 325)** and remove it.



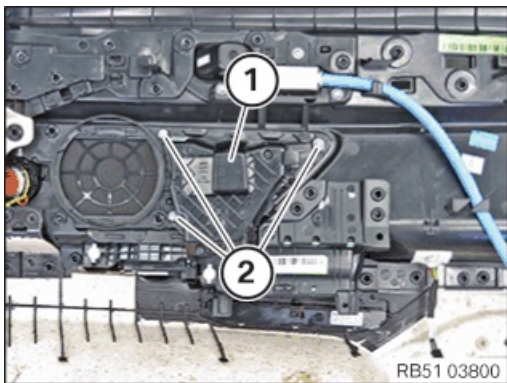
- Release door trim panel (1) from clips (2), guide it out to the top and detach it a little.



- Detach the Bowden cable (1) for the release lever on the counter support (2).
- Detach the Bowden cable (1) for the release lever on the door lock (3).
- Disconnect plug connections, unclip wiring harness (4), remove the door trim panel and set it aside.

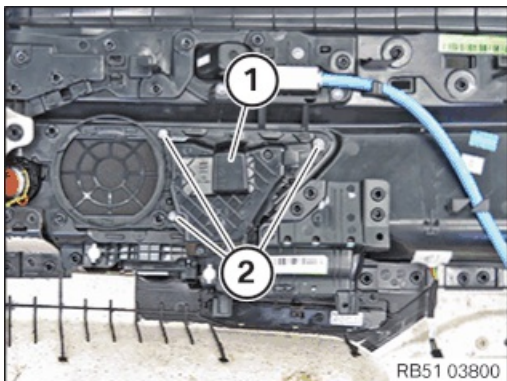
MAIN WORK

3-Remove ashtray.



- Loosen screws (2).
- Remove the ashtray (1).

4-Installing the ashtray



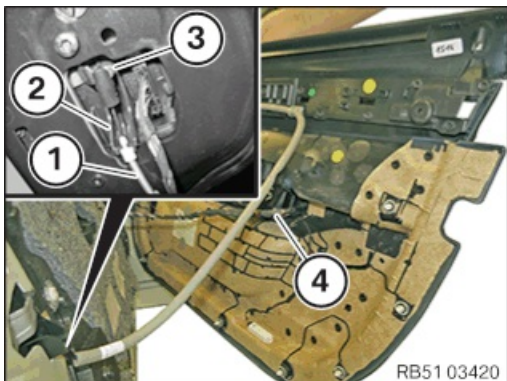
i TECHNICAL INFORMATION

Latch mechanisms, guides and mounting elements must not be damaged or missing.

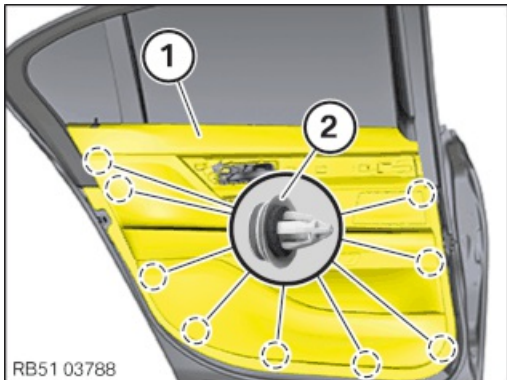
- Check latch mechanisms and guides on the ashtray (1).
- Position the ashtray (1) on the door trim panel.
- Tighten down screws (2).

POSTPROCESSES

5-Installing rear door trim panel



- Attach the Bowden cable (1) for the release lever on the door lock (3).
- Attach the Bowden cable (1) for the release lever on the counter support (2).
- Connect the connector, clip in the wiring harness (4) and install the door trim panel.



- Feed in upper door trim panel (1).
- Clip the door trim panel (1) into the clips (2).



- In G11: Tighten down screws (2).

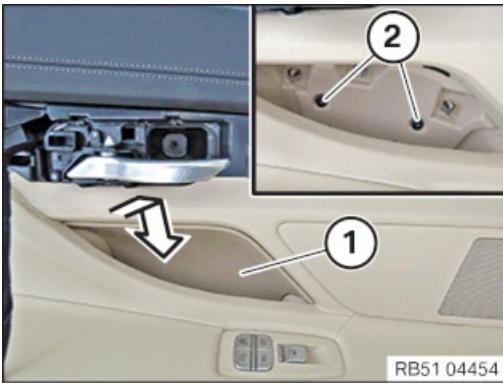
Door trim panel

Screw	Tightening torque	3 Nm
-------	-------------------	------

• Install cover (1) and engage



- Install cover (1) and engage.



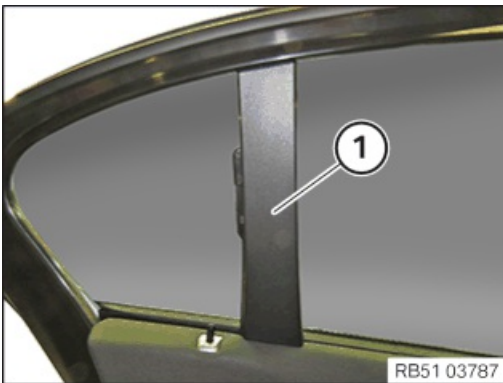
- In G12: Tighten down screws (2).

Door trim panel



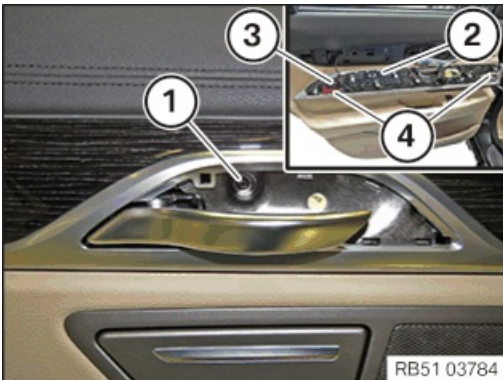
Screw	Tightening torque
	3 Nm

- Install cover (1) and engage.



- Install trim (1).

6-Install the finisher on the rear door trim panel



- Install the finisher (2) and connect the plug connections (4).
- Attach the decorative strip (2) to the hook (3).
- Starting at the rear, clip in decorative strip (2) into all clamps.
- Tighten down screw (1).

Door trim panel



Screw	Tightening torque
	3 Nm

- Fit trim (1).

